

12SPX42 12V42.0Ah

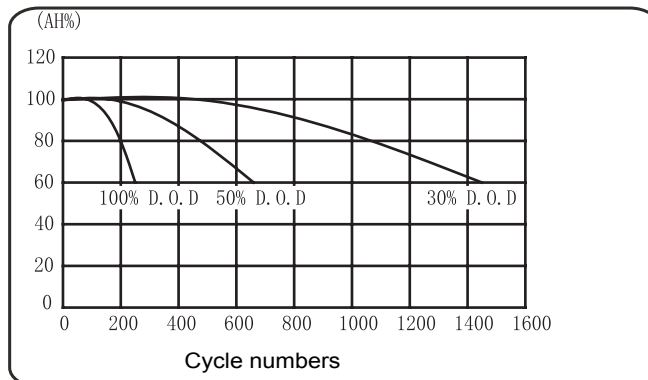


Specification

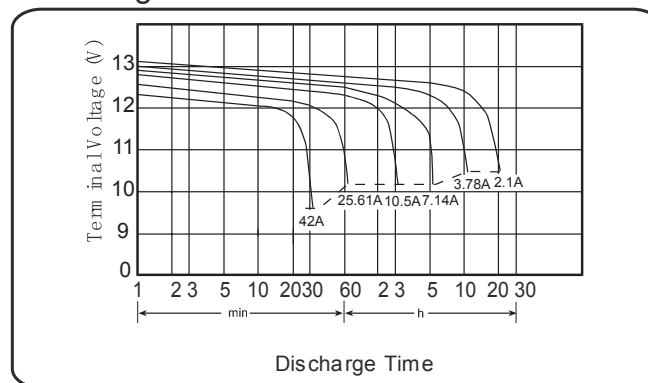
• NOMINAL VOLTAGE	: 12 V
• NOMINAL CAPACITY(10 hr)	: 42.0 Ah
• DIMENSIONS	
TOTAL HEIGHT	: 170 mm
CONTAINER HEIGHT	: 170 mm
LENGTH	: 196 mm
WIDTH	: 163 mm
• WEIGHT	: APPROX 14.3 Kg
• CONTAINER MATERIAL	: UL94HB ABS
	: UL94V-0 ABS
• INTERNAL RESISTANCE(25°C , 77 °F)	: ~8mΩ
• DISCHARGE CAPACITY UNDER DIFFERENT TEMPERATURES	
40°C	: ~102%
25°C	: ~100%
0 °C	: ~85%



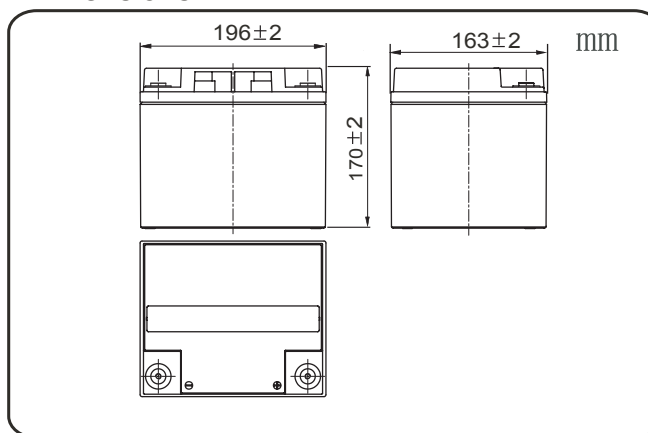
Cycle numbers VS Depth of discharge (D.O.D)



Discharge Characteristics @25°C(77°F)



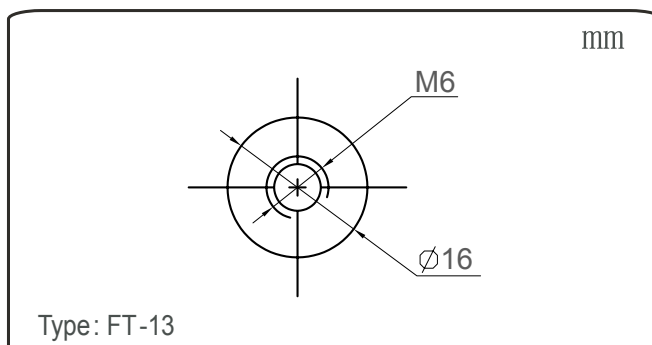
Dimensions



Characteristics

• CAPACITY 25°C / 77°F	
20 hr @ 2.1 A	: 42 Ah
5 hr @ 7.14A	: 35.7 Ah
1 hr @ 25.62A	: 25.62 Ah
1 C @ 42 A	: 21 Ah
• CHARGING VOLTAGE (25°C , 77 °F)	
STANDBY USE	: 13.62 V/bloc
FREQUENT DISCHARGE USE	: 14.1-14.4 V/bloc
• MAX CHARGING CURRENT	: 10.5 A
• SELF DISCHARGE AT20°C: < 2% a month	

Terminal



Note: Specifications are subject to change without further notice.