

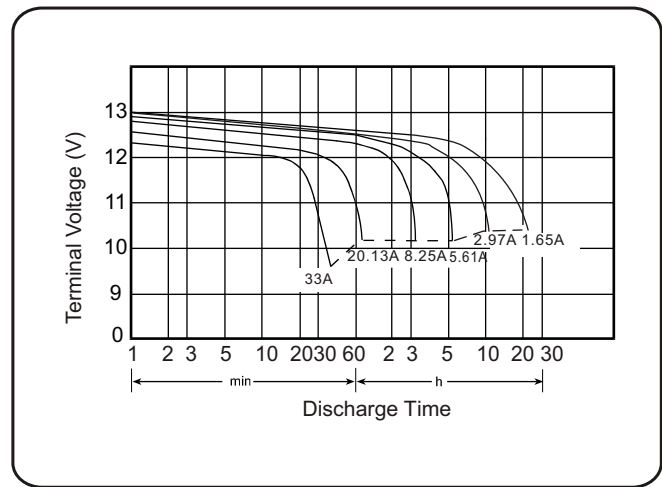
12SPX33 12V33Ah



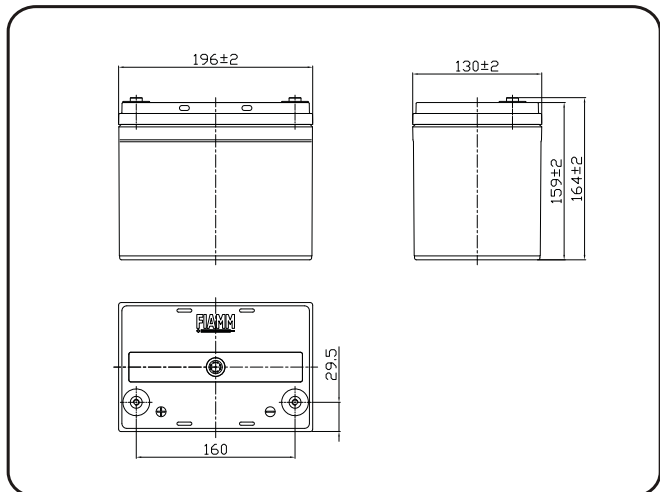
SPECIFICATION

• NOMINAL VOLTAGE	: 12 V
• NOMINAL CAPACITY(20 hr)	: 33 Ah
• DIMENSIONS	
TOTAL HEIGHT	: 164 mm
CONTAINER HEIGHT	: 159 mm
LENGTH	: 196 mm
WIDTH	: 130 mm
• WEIGHT	: APPROX 12.0Kg
• CONTAINER MATERIAL	: UL94V-0 ABS
• INTERNAL RESISTANCE(25°C , 77 °F)	: ~13.5mΩ
• DISCHARGE CAPACITY UNDER DIFFERENT TEMPERATURES	
40°C	: ~102%
25°C	: ~100%
0 °C	: ~85%

DISCHARGE CHARACTERISTICS 25°C(77°F)



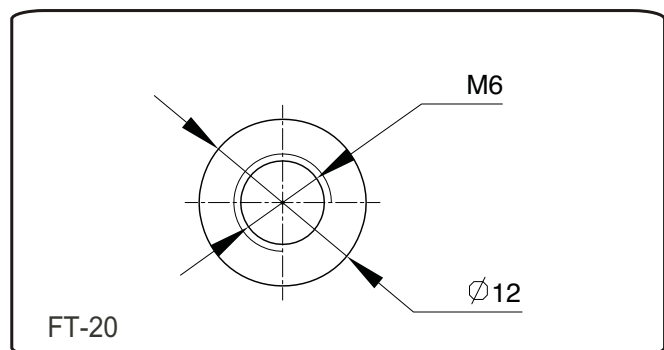
DIMENSIONS



CHARACTERISTICS

• CAPACITY 25°C / 77 °F	
20 hr @ 1.65 A	: 33 Ah
5 hr @ 5.61 A	: 28.05 Ah
1 hr @ 20.13 A	: 20.13 Ah
1 C @ 33 A	: 16.5 Ah
• CHARGING VOLTAGE (25°C , 77 °F)	
STANDBY USE	: 13.65V±0.15 V
CYCLE USE	: 14.7V ±0.3 V
• MAX DISCHARGE CURRENT	: 99 A (5 sec)
• MAX CHARGING CURRENT	: 8.25 A
• SELF-DISCHARGE RESIDUAL CAPACITY(25°C , 77 °F)	
AFTER 3 MONTHS	: ~90%
AFTER 6 MONTHS	: ~82%
AFTER 12 MONTHS	: ~70%

TERMINAL



Web : www.fiamm.com

Note: Specifications are subject to change without further notice.

201412