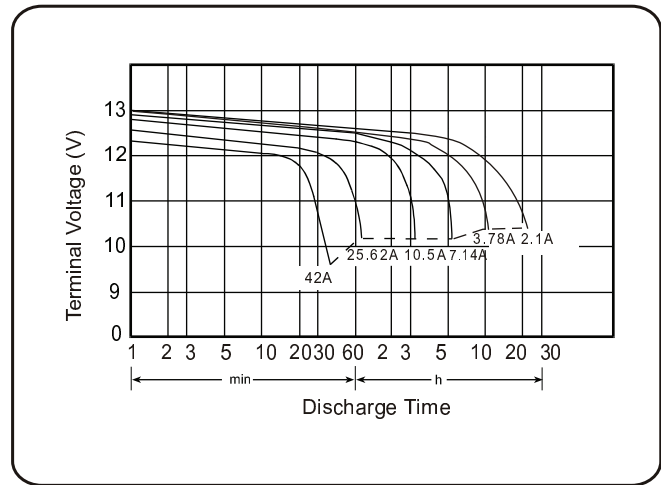


## 12SP42 12V 42Ah

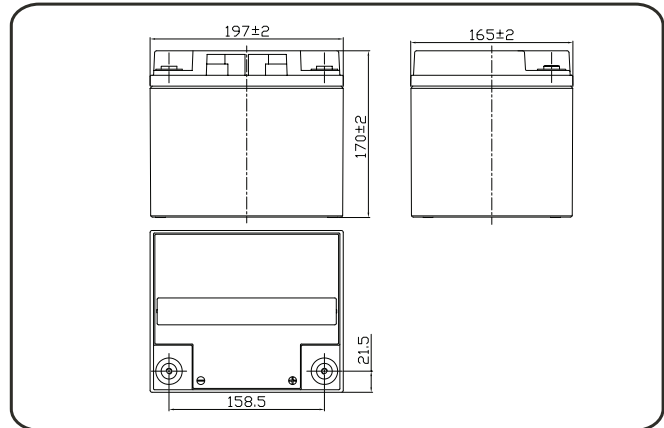
### SPECIFICATION

• NOMINAL VOLTAGE	: 12 V
• NOMINAL CAPACITY(20 hr)	: 42 Ah
• DIMENSIONS	
TOTAL HEIGHT	: 170 mm
CONTAINER HEIGHT	: 170 mm
LENGTH	: 197 mm
WIDTH	: 165 mm
• WEIGHT	: APPROX 13.6Kg
• CONTAINER MATERIAL	: UL94V-0 ABS
• INTERNAL RESISTANCE( 25°C , 77 °F )	: ~9.4 mΩ
• DISCHARGE CAPACITY UNDER DIFFERENT TEMPERATURES	
40°C	: ~102%
25°C	: ~100%
0 °C	: ~85%

### DISCHARGE CHARACTERISTICS 25°C (77°F)



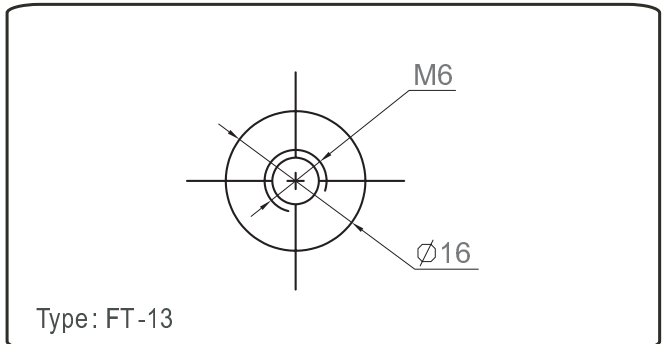
### Dimensions



### CHARACTERISTICS

• CAPACITY 25°C / 77 °F	
20 hr @ 2.1 A	: 42 Ah
5 hr @ 7.14 A	: 35.7 Ah
1 hr @ 25.62 A	: 25.62 Ah
1 C @ 42 A	: 21 Ah
• CHARGING VOLTAGE ( 25°C , 77 °F )	
STANDBY USE	: 13.56V
CYCLE USE	: 14.40V-15.00V
• MAX CHARGING CURRENT	: 10.5 A
• SELF-DISCHARGE RESIDUAL CAPACITY( 25°C , 77 °F )	
AFTER 3 MONTHS	: ~90%
AFTER 6 MONTHS	: ~82%
AFTER 12 MONTHS	: ~70%

### Terminal



Web : [www.fiamm.com](http://www.fiamm.com)  
 Note : Specifications are subject to change without further notice.