

12SPX42 12V42.0Ah

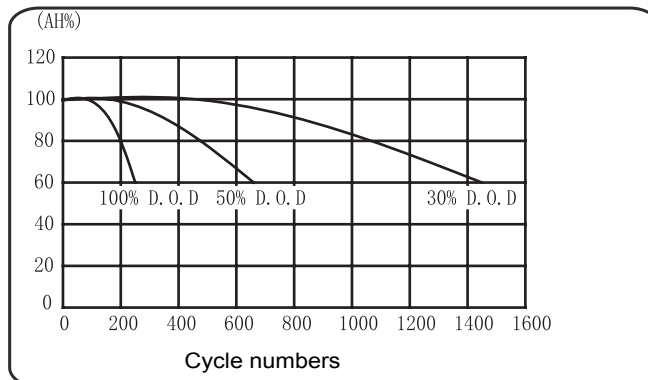


Specification

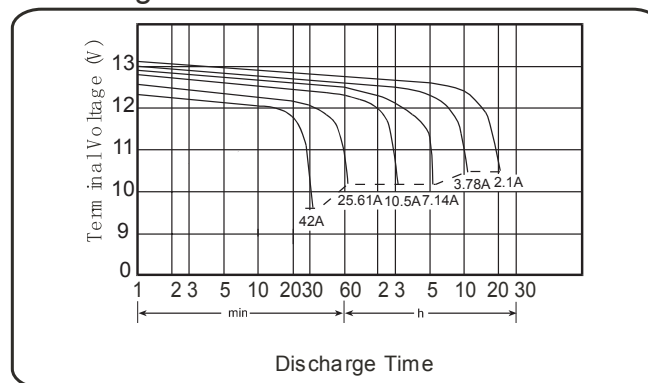
| | |
|---|------------------|
| • NOMINAL VOLTAGE | : 12 V |
| • NOMINAL CAPACITY(10 hr) | : 42.0 Ah |
| • DIMENSIONS | |
| TOTAL HEIGHT | : 170 mm |
| CONTAINER HEIGHT | : 170 mm |
| LENGTH | : 196 mm |
| WIDTH | : 163 mm |
| • WEIGHT | : APPROX 14.3 Kg |
| • CONTAINER MATERIAL | : UL94HB ABS |
| | : UL94V-0 ABS |
| • INTERNAL RESISTANCE(25°C , 77 °F) | : ~8mΩ |
| • DISCHARGE CAPACITY UNDER DIFFERENT TEMPERATURES | |
| 40°C | : ~102% |
| 25°C | : ~100% |
| 0 °C | : ~85% |



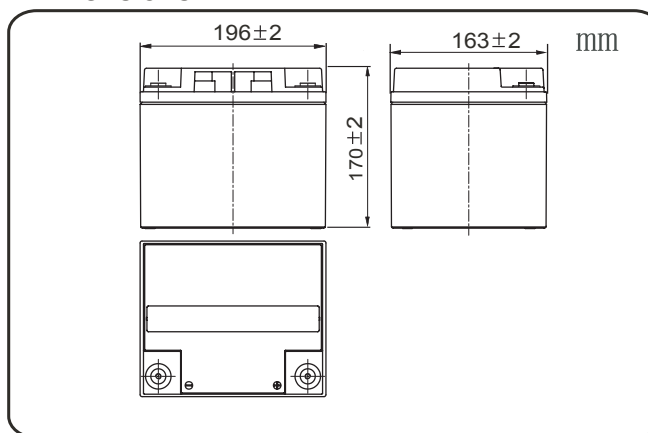
Cycle numbers VS Depth of discharge (D.O.D)



Discharge Characteristics @25°C(77°F)



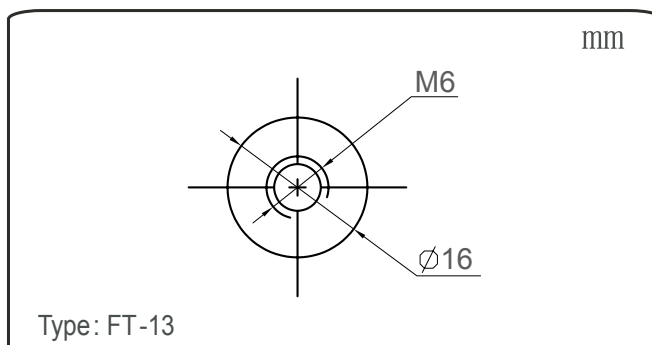
Dimensions



Characteristics

| | |
|---------------------------------------|--------------------|
| • CAPACITY 25°C / 77°F | |
| 20 hr @ 2.1 A | : 42 Ah |
| 5 hr @ 7.14A | : 35.7 Ah |
| 1 hr @ 25.62A | : 25.62 Ah |
| 1 C @ 42 A | : 21 Ah |
| • CHARGING VOLTAGE (25°C , 77 °F) | |
| STANDBY USE | : 13.62 V/bloc |
| FREQUENT DISCHARGE USE | : 14.1-14.4 V/bloc |
| • MAX CHARGING CURRENT | : 10.5 A |
| • SELF DISCHARGE AT20°C: < 2% a month | |

Terminal



Note: Specifications are subject to change without further notice.